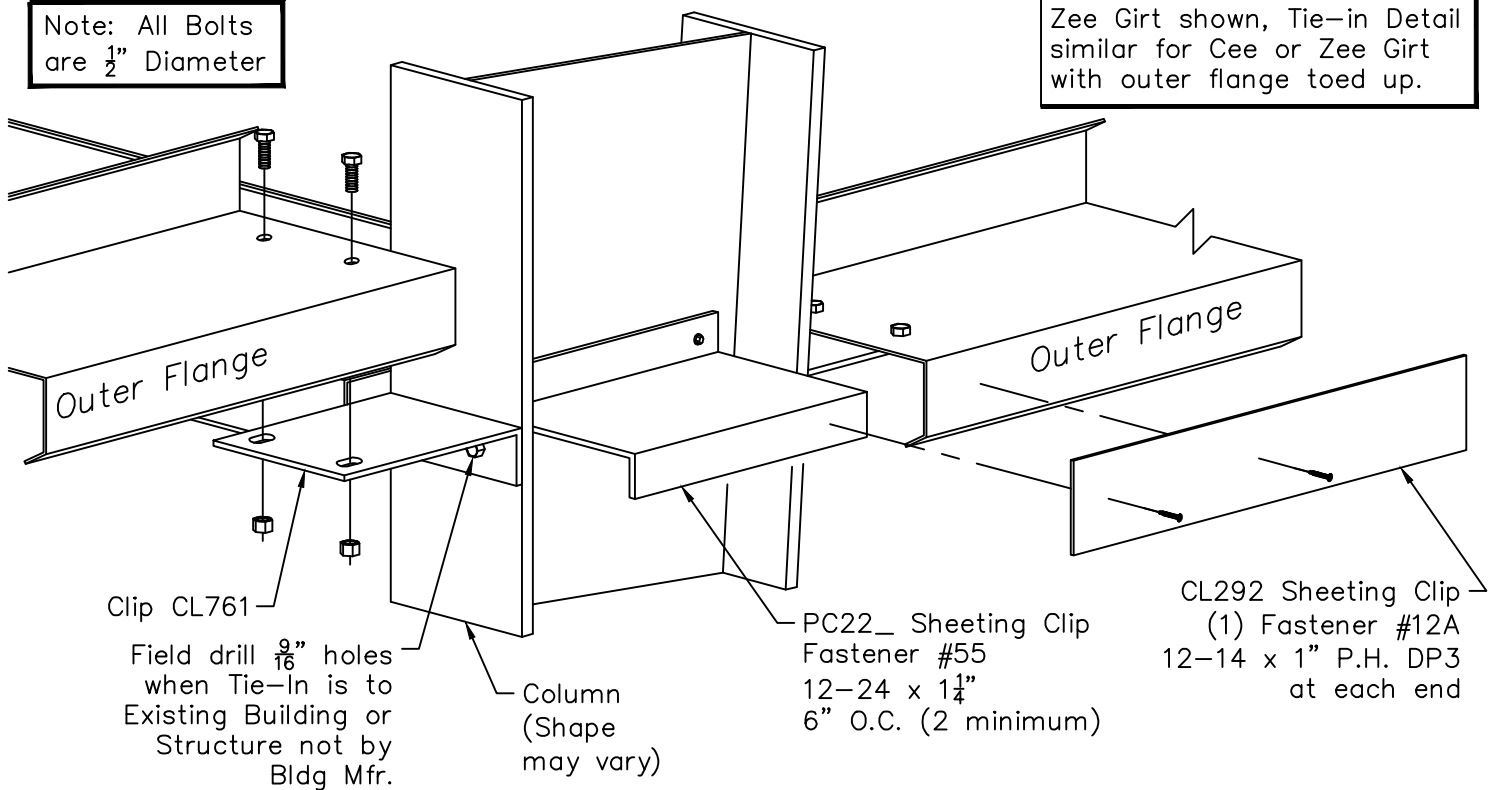


# Girt Tie-In - End Frame - Common Wall Sheeted

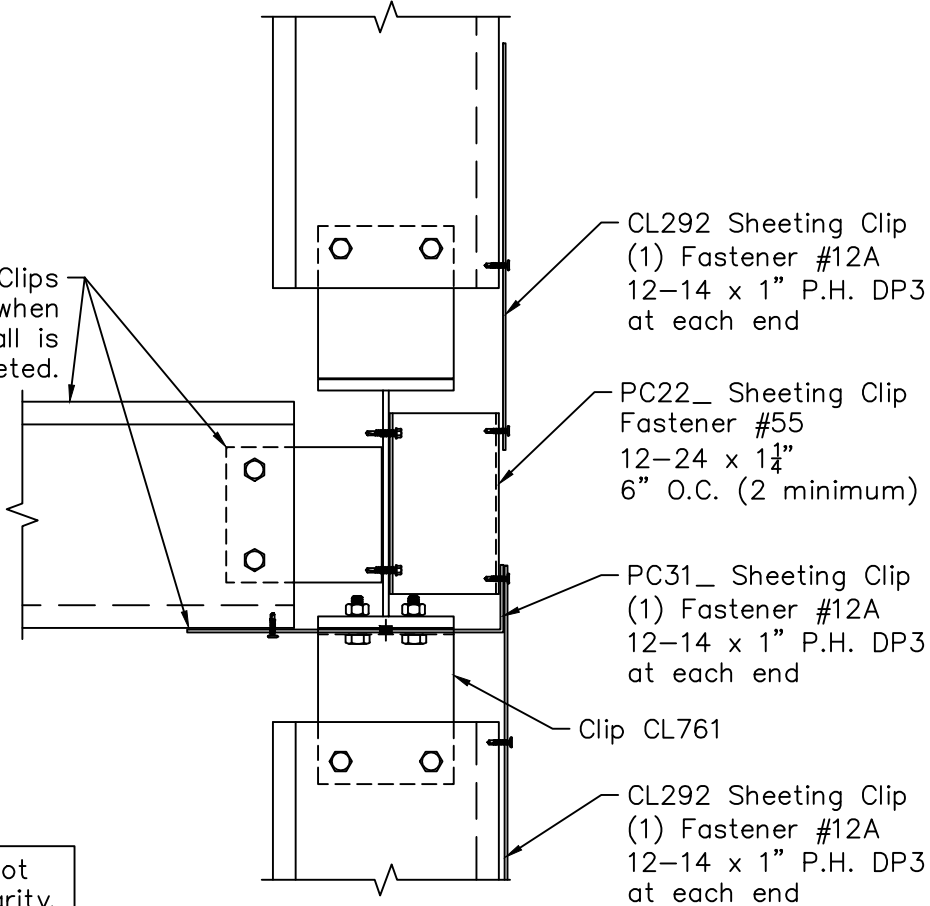
## Flush Column - Endwall Girt Centered on Column Flange

Note: All Bolts are  $\frac{1}{2}$ " Diameter

Zee Girt shown, Tie-in Detail similar for Cee or Zee Girt with outer flange toed up.



This Girt and Clips required only when common wall is sheeted.



Wall Panels not shown for clarity.